

PRODUCT PAGE

For technical and availability information, please contact Onmar.

+46 (0) 16 42 86 80

info@onmar.se

www.onmar.se

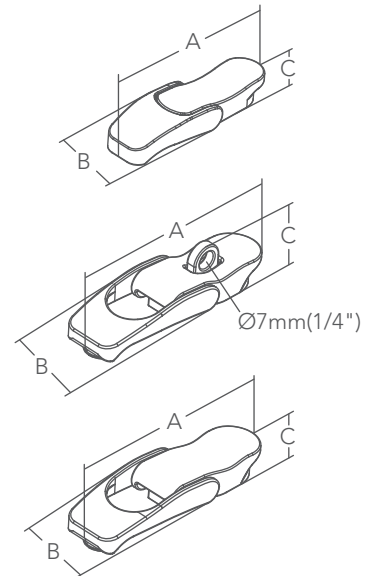
OVER CENTER LATCH



Stainless Steel 316

- Heavy duty cast construction with strong holding power.
- Designed to fit various applications for a tight seal on any compartment lid.
- Off-center strike can be rotated to achieve desired catch tension.
- OL-12-1201/2-24: Slot hole incorporated in housing to facilitate minor adjustments following installation.
- Stainless steel mechanism presents smooth and low profile appearance in the closed position.
- OL-12-1003-24: Complete with eye for padlock up to 6mm shackles.
- Includes an installation jig to ensure precise strike alignment.
- Stainless steel 304 accessories are included for locking type.

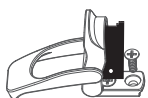
PATENTED



Part number	Model	Lock	A (mm)	B	C
OL-12-1001-24	Standard	W/O Lock	82	25	15
OL-12-1002-24	Standard	W/ Lock	82	25	15
OL-12-1001-24-PVD-2	Standard BLACK	W/O Lock	82	25	15
OL-12-1002-24-PVD-2	Standard BLACK	W/ Lock	82	25	15
OL-12-1003-24	W/ Eye	W/O Lock	83	25	21
OL-12-1201-24	Standard	W/O Lock	106	32	19
OL-12-1202-24	Standard	W/ Lock	106	32	19
OL-12-1301-24	Mini	W/O Lock	68	20	13
BO-R102162	Mini striker - Spare part for OL-12-1301-24				

INSTALLATION INSTRUCTION

1



Force the spring base to the open position by sliding the jig into the open latch. Mount the latch body.

2



Slide in the strike jig.

3



Mark the strike hole.

4



Install the strike and rotate for desired tension.